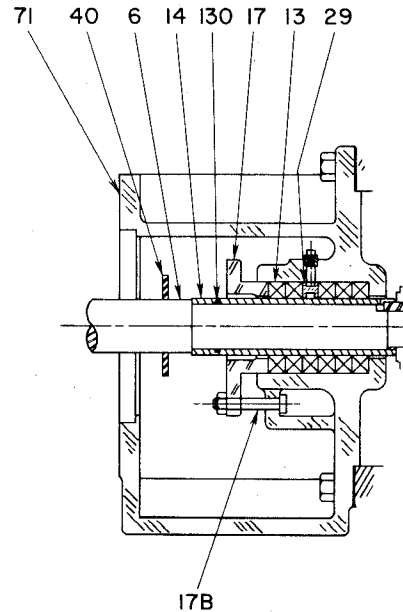
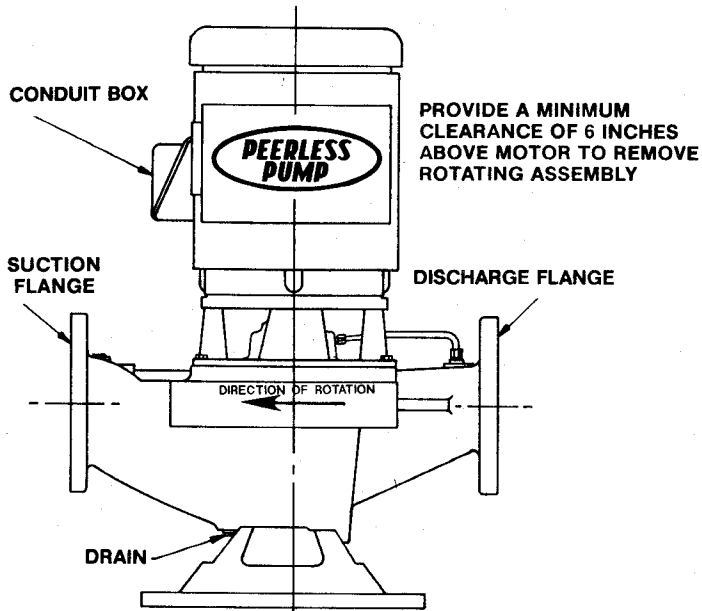


INLINE FIRE PUMPS Type PVF

(Addendum to instructions- OPERATION AND MAINTENANCE
Bulletin No. 2897336 for packed type PVF fire pumps)



STUFFING BOX: The function of a stuffing box is to limit or eliminate leakage of the pump fluid and to prevent air from entering along the shaft. These instructions are intended for pumping units handling water.

PACKED TYPE SEAL: A packed type stuffing box must correspond to suction conditions of the installation. The pump is shipped with the packing installed unless otherwise specified by the customer. Check the packing carefully, allowing a slight leakage for lubrication. Never force the packing into a leakproof position since this will create excessive friction and cause damage to the packing or shaft sleeve. Maximum packing life can be expected when the leakage approximates a minimum of 40-60 drops a minute. A reduction of leakage reduces the life of the packing and the shaft sleeve considerably. If leakage is excessive tighten the gland bolts evenly, about 1/6 of a turn at a time. Do not be concerned if the leakage seems to increase after an adjustment of the packing has been made. The leakage will normally reduce after a period of time as the packing adjusts to its new position. It should be kept in mind that it takes time for newly installed packing to "run-in" and that during the initial period, frequent attention and adjustments are necessary, it sometimes takes several days to achieve the desired results. Peerless Pump recommends the use of lantern rings and water seal lines only when suction pressure is less than 30 psig.

Replacement packing can be obtained from Peerless Pump or from your local packing supplier.

PUMP DIS-ASSEMBLY: For steps 5 and 7 in instruction manual no. 2897336, page 6, substitute the following;

5) Loosen the gland bolts (17B) and pull gland (17) out slightly to relax packing (13).

7) Remove gland (17), packing (13) and lantern ring (29), if furnished, from the adapter.

INSPECTION AND REPAIR: Replace all packing rings (13). Replace shaft sleeve (14), if upon inspection wear is indicated.

PUMP RE-ASSEMBLY: For steps 2, 3, 4 in instruction manual no. 2897336, page 7, substitute the following;

2) Install deflector (40), shaft sleeve "O" ring (130) and shaft sleeve (14) on shaft. Be sure shaft sleeve bottoms on shaft shoulder. Position deflector on motor shaft about midpoint between gland and motor register within adapter. Align shaft sleeve slot with key slot of shaft, slide gland (17) and lantern ring (29), if furnished, onto the shaft to about the deflector.

CAUTION: Be sure at all times that the gland enters the stuffing box square so that uniform pressure is exerted around the packing; a tipped gland is an invitation to trouble.

3) In order, install 3 rings of packing (13), the lantern ring (29), if furnished, and 2 rings of packing in the adapter cavity. When lantern ring is not furnished, install 6 rings of packing. Stagger the joint of each ring approximately 180° from adjacent rings. Be sure each ring is square with the shaft. Use a split bushing and the gland (17) to move the rings to the bottom of the cavity. When all packing rings are in place, position the gland (17) and loosely seat on packing, using gland bolts (17B). Tighten as required to limit leakage after pump is running.