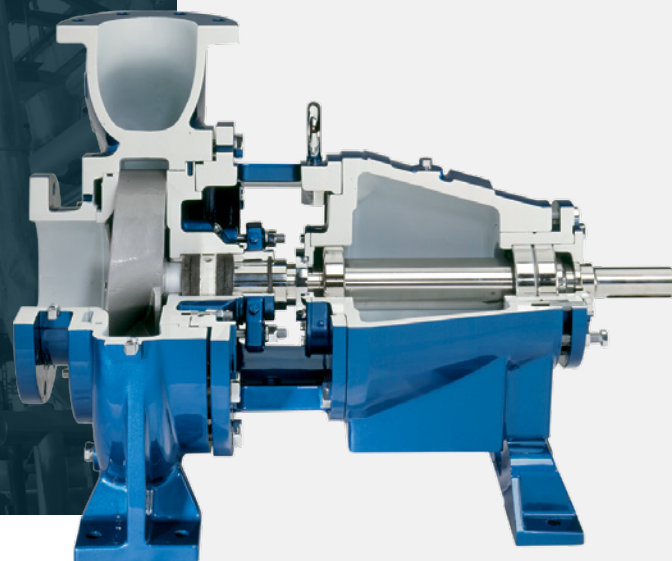




HEAVY-DUTY PROCESS / PAPER STOCK / SLURRY PUMP

Series 8175



Manufactured for a wide range of flow and head requirements, the Peerless Pump 8175 Series process pump is engineered for lower operating costs. The back-pullout assembly can be replaced without removing the coupling and motor. The extra-thick casings and heavy-duty shafts and bearings are ideal for the toughest of services. The 8175 Series pump is interchangeable with competitors' pumps, and all 8175 Series power ends are backed by our three-year warranty.

FEATURES

The 8175 Series casing is a self-venting, top centerline discharge with a fully confined gasket.

The renewable side plate, which comes standard on all 8175 pumps, protects the casing against wear in abrasive applications; this plate can be provided in a variety of wear-resistant alloys.

The standard dual-volute casing serves to balance radial forces, extending shaft, seal, and bearing life.

Our impellers are a fully open design that resists clogging — even with up to 6% pulp. Multiple vane configurations are available to suit your application. All impellers are keyed and bolted to prevent accidental loosening of the impeller in case of reverse rotation, and they are dynamically balanced, giving longer bearing and seal life.

Integral back pump-out vanes reduce stuffing box pressure, prolonging bearing life as well as extending the life of the packing or mechanical seal.

The heavy-duty cast-iron bearing frame is coated internally to prevent contamination of the oil or bearings from the inside.

The VBXD® labyrinth oil seal by Inpro / Seal®, designed especially for Peerless Pump, provides both static and dynamic sealing to protect bearings from environmental contamination, and prevents vapor transfer into the pump's powerframe.

The shaft is designed with a maximum .002" deflection at the seal chamber face. It comes standard with a replaceable sleeve, available in multiple materials. The threaded area of the shaft is protected against corrosion from the pumped liquid with O-rings on the impeller hub and on the impeller bolt.

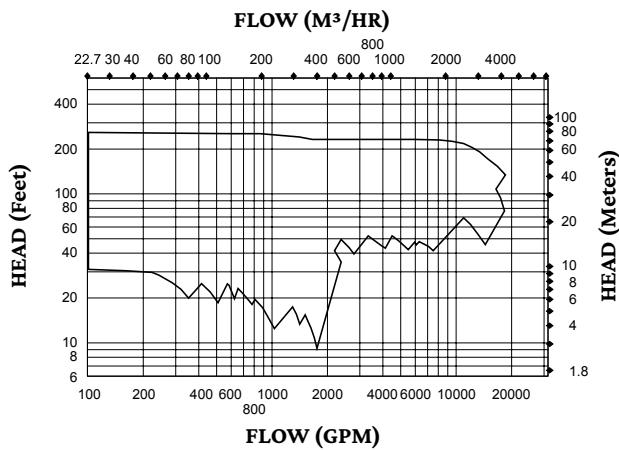
APPLICATIONS

- Solids, paper stock and slurry, entrained air and abrasive liquids
- Pulp and paper
- Chemical
- Petrochemical
- Wastewater
- Pharmaceutical
- Plastics
- Steel
- Refining

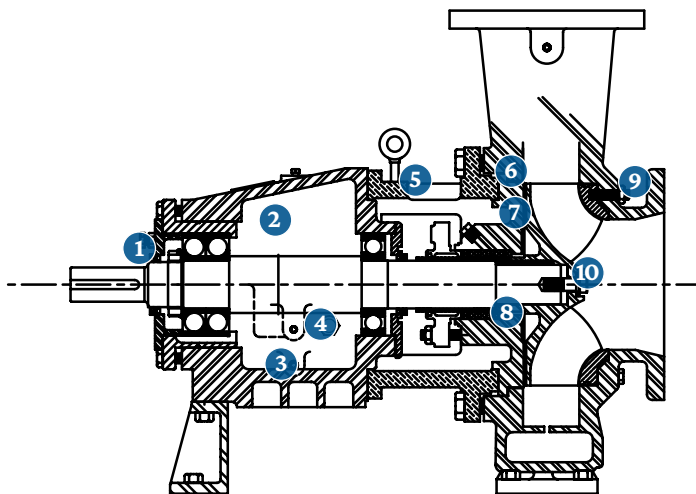
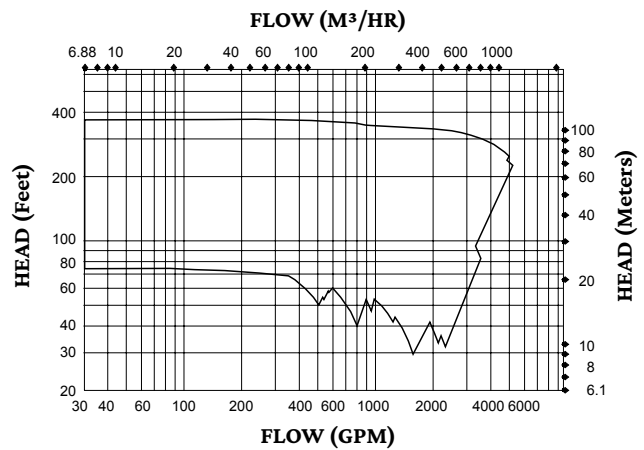
SPECIFICATIONS

Capacities	Up to 18,500 gpm (4,202 m ³ /h)
Head	Up to 350 feet (107 meters)
Pressure	Up to 285 psi (1,965 kPa)
Horsepower	Up to 750 hp (560 kW)
Temperature	Up to 450°F (232°C)
Drives	Motors, engines, steam turbines
Liquids	Pulp and paper, chemical, any liquid
Materials	Cast iron, 316SS, CD4MCu, 317SS, Alloy 20

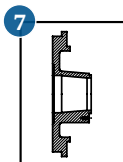
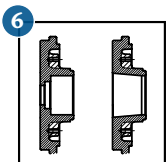
8175 SERIES RANGE — 1150 RPM



8175 SERIES RANGE — 1750 RPM



- 1 Standard Inpro VBXD® Bearing Isolators**
Protect bearings from environmental contamination in both static and dynamic modes.
- 2 Coated Internal Bearing Frame**
- 3 Enlarged Oil Sump**
Improves heat transfer for more effective oil cooling.
- 4 Bullseye**
One-inch sight glass for easy, accurate monitoring of oil levels. Optional: Trico® Oiler.
- 5 Iron Frame Adapter**
Provides greater strength and durability.
- 6 Optional Seal Chambers**
Big bore and taper bore available for extra seal cooling.
- 7 Optional Taper Bore Stuffing Box**
- 8 Renewable Shaft Sleeve**
Positively driven, hook-type with a free end for expansion under varying temperatures.
- 9 Side Plate**
Standard on all pumps for reduced maintenance cost.
- 10 Impeller**
Keyed and bolted to prevent accidental loosening of impeller due to rotation.
- 11 Multiple Vane Impellers**
Available for different pulp applications.



Peerless Pump designs tough, versatile products to meet your pumping needs. The 8175 Series delivers variety, durability, standardized options and configurations unequalled in the industry.

For more information, contact your local authorized Peerless Pump distributor or visit peerlesspump.com



2005 DR. MARTIN LUTHER KING JR. ST.
INDIANAPOLIS, IN 46202

P 317.925.9661 F 317.924.7388 PEERLESSPUMP.COM

Flyer-042420
This flyer's contents subject to change without notice
© Peerless Pump Company