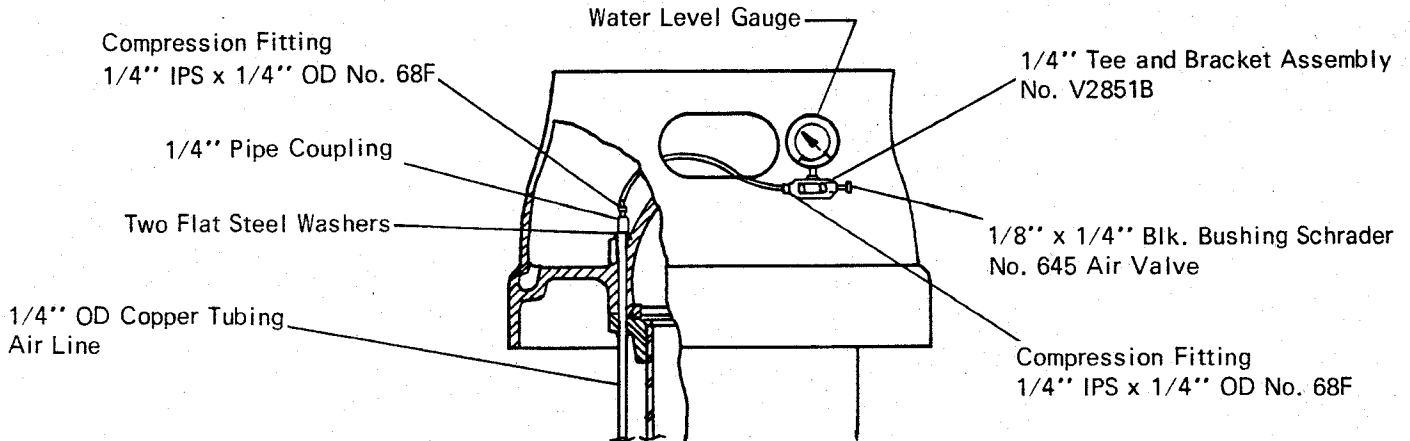


## AIR LINE AND GAUGE ASSEMBLY for Vertical Turbine Fire Pumps

### DIRECTIONS FOR INSTALLATION OF THE AIR LINE AND GAUGE ASSEMBLY

The air line and water level gauge assembly is installed as shown below. The air line is brought up through the 7/8" hole in the top column flange and discharge casting.

First, assemble the water level gauge, air valve and compression fitting onto the tee and bracket assembly V2851B. Then bolt the unit onto the discharge casting, using the two tapped holes on the side. Next, connect the air line and pipe tee with a 1/4" OD copper tube between the compression fittings in the tee and the top pipe coupling to complete the installation.



### INSTRUCTIONS FOR MEASURING THE WATER LEVEL WITH AN AIR LINE AND THE PEERLESS DIRECT- READING WATER LEVEL GAUGE

Accurate water level readings can be obtained by the following procedure:

- Install the gauge center at the same height as the center-line of the discharge at the pump base. Then any additional readings on the surface discharge head, in feet, can be added to the pumping level to give the total "water-to-water pumping head."
- Determine the exact vertical distance from the gauge center to the lower end of the air line. Mark this length in feet and inches in the square provided on the gauge dial.
- Adjust the movable gauge dial to correspond to the above determined length. Loosen the three screws on the face of the gauge and turn the dial until the graduation corresponding to the vertical height is opposite the hand pointer when the gauge is in an upright position. Check the dial after locking the screws.
- Make sure that all joints of the air line, gauge, fittings and air valve are air tight under pressure and that the bottom end of the air line is not plugged.
- "Standing" or "Static" water level readings are taken before starting the pump or after a shut-down period long enough to allow the well water level conditions to reach normal. "Drawdown" and "Pumping Level" readings are taken after the pump has been operating against normal head for a period sufficient to pull down to the maximum point.
- To obtain the above readings, pump air into the air line with a hand pump until the gauge hand ceases to rise and note the gauge reading.
- Keep a record of all readings and the date taken for a complete story on your well performance due to seasonal changes, etc.

