



Peerless Pump Company
Series-8196
INSTALLATION, OPERATION,
AND MAINTENANCE MANUAL
ANSI STANDARD PROCESS
PUMP



CUSTOMER _____

PO# _____

SERVICE _____

EQUIPMENT NUMBER _____

SERIAL NUMBER _____



Peerless Pump Company
Indianapolis, IN 46207-7026

TABLE OF CONTENTS

Section I - General	4
Introduction	5
I-A. Importance of Instructions	5
I-B. Special Warnings	5
I-C. Receiving Inspection-Shortages.....	5
I -D. Preservation and Storage	5
I-E. Handling Techniques	6
Section II – Installation	7
II-A. Location.....	7
II -B. Foundation.....	7
II-C. Foundation Bolts	7
II-D. Mounting and Leveling the Unit	7-8
II-E. Alignment	8-9
II-F. Alignment Check.....	9-10
II-G. Alignment Adjustment.....	10
II-H. Alignment Recheck	10
II-I Grouting	10-11
II-J. Suction Piping-General.....	12
<i>Suction Lift Installations</i>	12
<i>Flooded Suction! Positive Head Installations</i>	12
II-K. Discharge Piping.....	12
II- L. Engine Driven Units.....	13
II-M. Electric Motor Driven Units.....	13
II-N. Installation Falk Steelflex® Spacer Couplings.....	14-15
II-O. Installation Wood's Sure-Flex® Spacer Couplings.....	16-17
II-P. Installation Rexnord Rex Omega® Spacer Type Couplings.....	18-19
II-Q. Stuffing Box	20
Section III – Operation	21
III-A. Start-up Check List.....	21-23
Section IV - Preventive and Corrective Maintenance	24
IV-A. Daily/Weekly Routine Inspection and Maintenance.....	24
Section V – STP/MTP Power Frames	25
V-A. Disassembly And Reassembly Instructions.....	25
<i>STP! MTP Pump Frames</i>	25
<i>Removal of Seal Chamber Cover</i>	25
<i>Removal of Stuffing Box Cover-Packed Pumps</i>	26

SECTION I

<i>Power End Disassembly-STP and MTP Models</i>	26
<i>Power End Disassembly-LTP Frames</i>	27
<i>Power End Disassembly-XLTP Frames</i>	27
V-B. Parts Inspection	27-28
V-C. Assembly	29
<i>Rotating Element and Bearing Frame, STP and MTP Frames</i>	29
<i>Power End Assembly</i>	29
V-D. Assembly	30
<i>Rotating Element and Frame Assembly, LTP and XLTP</i>	30
<i>Rotating Element-LTP Frame</i>	30
<i>Rotating Element-XLTP Frame</i>	31
<i>Power Frame Checks and Liquid End Assembly - All Models</i>	31
<i>Packed Type Pumps</i>	32
<i>Mechanical Seal Pumps</i>	32-33
V-E. Installation-Back Pull Out Assembly - All Models	34
Appendix	35
Oil Lubricated Bearings	35
Grease Lubricated Bearings	36
<i>Field Conversion from Flood Oil to Oil Mist Bearings</i>	37
<i>Impeller Clearance Adjustment</i>	38
<i>Feeler Gauge Adjustment of Impeller Clearance</i>	38
<i>Dial Indicator Adjustment of Impeller Clearance</i>	39-40
Parts List with Materials" of Construction	41
Cross. Sectional Drawings	
STP	41
MTP	43
LTP	44
XLTP	45
ANSI Process Pumps Engineering Data	46-47
Trouble-Shooting: Causes and Corrective Measures	48
Ordering Spare Parts	49
Instructions for Ordering Spare Parts	49
Modular Interchangeability Chart	50
Exploded Isometric Views	
STP	51
MTP	52
LTP	53
XLTP	54

GENERAL

READ THIS ENTIRE BOOK before attempting to install, operate or repair this pump. Properly installed, your pump will give you satisfactory, dependable service. We urge that you carefully read these step-by-step instructions, to eliminate any problems of installation, operation or repair.

Failure to read and comply with installation and operating instructions will void the responsibility of the manufacturer and may also result in bodily injury as well as property damage.

This book is intended to be a permanent part of your pump installation and should be preserved in a convenient location for ready reference. If these instructions should become soiled, obtain a new copy from Peerless Pump Company (Include pump model and/or serial number with your request.

WARRANTY

New equipment manufactured by Seller is warranted to be free from defects in material and workmanship under normal use and service for a period of one year from date of shipment; (Excluding Power Ends, which are covered for three (3) years). Seller's obligation under this warranty being limited to repairing or replacing at its option any part found to its satisfaction to be so defective provided that such part is, upon request, returned to Seller's factory from which it was shipped, transportation prepaid. This warranty does not cover parts damaged by decomposition from chemical action or wear caused by abrasive materials, nor does it cover damage resulting from misuse, accident, neglect, or from improper operation, maintenance, installation, modification or adjustment. This warranty does not cover parts repaired outside Seller's factory without prior written approval. Seller makes no warranty as to starting equipment, electrical apparatus or other material not of its manufacture, since the same are usually covered by warranties of the respective manufacturers thereof.

In the event, notwithstanding the terms of this agreement, it is determined by a court of competent jurisdiction that an express warranty has been given by Seller to Purchaser with respect to the head, capacity or other like performance characteristics of said equipment, Seller's liability for breach of the same shall be limited to accepting return of such equipment E.O.B. plant of manufacture, refunding any amount paid thereon by Purchaser (less depreciation at the rate of 15% per year if Purchaser has used equipment for more than thirty (30) days) and canceling any balance still owing on the equipment.

This warranty is expressly in lieu of any other warranties, expressed or implied, and Seller specifically disclaims any implied warranty of merchantability or fitness for a particular purpose

INTRODUCTION

This instruction manual is intended to assist those involved with the installation, operation and maintenance. of Peerless Pump Company ANSI Process Pumps. It is recommended that this manual be thoroughly reviewed prior to installing or performing any work on the pump or motor.

I-A. IMPORTANCE OF INSTRUCTIONS

The design, material and workmanship incorporated in the construction of pumps by Peerless Pump Company make them capable of giving long, trouble-free service. The life and satisfactory service of any mechanical unit, however, is enhanced and extended by periodic inspection and careful maintenance. This instruction manual was prepared to assist operators in understanding the construction and correct methods of installing, operating, and maintaining these pumps. Thoroughly study Sections I, II, III and carefully follow the instructions for installation. Sections IV and V have answers to trouble and maintenance questions. Keep this instruction manual handy for reference. Further information can be obtained by contacting the local authorized distributor or the factory.

I-B. SPECIAL WARNINGS

Peerless Pump Company will not be liable for any damages or delay caused by failure to comply with the provisions of this instruction manual. This pump is not to be operated at speeds, working pressures, discharge pressures, or temperatures higher than, nor used with liquids other than, stated in the original order acknowledgment without written permission of Peerless Pump Company. For Pressure/Temperature limitations see page 46.

I-C. RECEIVING INSPECTION-SHORTAGES

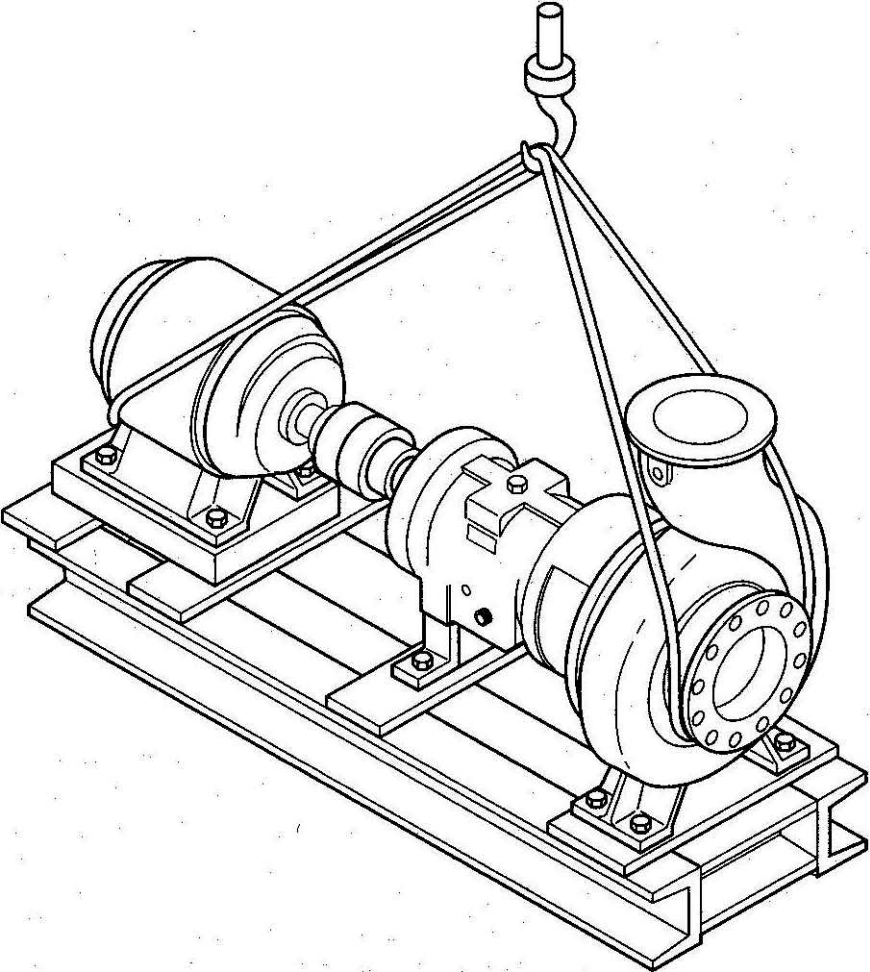
Care should be taken when unloading pumps. If shipment is not delivered in good order and in accordance with the Bill-of-Lading, note the damage or shortage on both receipt and freight bill. **MAKE ANY CLAIMS TO THE TRANSPORTATION COMPANY PROMPTLY.** Instruction sheets on various components as well as the Instruction Book for the pump are included in the shipment. **DO NOT DISCARD!**

I-D. PRESERVATION AND STORAGE

Peerless Pump Company normal domestic shipping and storage preparation is suitable for protecting the pump during shipment in covered trucks. It also provides protection during covered storage at the job site, and for a short period between installation and start-up. If the pump is to be idle and/or exposed to the elements for an extended period, either before or after installation, special precautions are required. One approach is to provide special preservatives and wrapping before shipment. However, after installation the protective wrappings will have been removed. Therefore, application of preservatives after installation is considered a good practice. Information about various long term preservation and storage options available can be obtained for the driver, coupling, mechanical seal, or other equipment supplied on your order. Contact the factory for further details.

I-E. HANDLING TECHNIQUES

Care should be used in moving pumps. Pumps should *not* be hoisted by eyebolts. These eyebolts are intended for removing the back pullout assembly for maintenance and inspection. An assembled pump should be hoisted using a sling under suction flange and under rear of bearing frame. Base plate mounted units should be hoisted using slings under suction flange of pump, and frame of motor as shown below.



INSTALLATION

II-A. LOCATION

Select a location for the pumping unit (pump, base plate, coupling and driver) which will:

- (a) Be clean, well ventilated, properly drained and provide accessibility for inspection and maintenance (see outline drawing for dimension). Outdoor installations may require protection from the elements, particularly freezing.
- (b) The suction supply system must provide the pump with Net Positive Suction Head (NPSH) equal to or greater than that required by the pump at any capacity over the expected operating range. Ask your representative for assistance if you do not understand how to calculate or measure suction supply system NPSH.

II-B. FOUNDATION

Concrete (reinforced as necessary or required) is most widely used for the foundation. In sufficient mass, it provides rigid support, which minimizes deflection and vibration. It may be located on soil, structural steel or building floors, provided the combined weight of the pumping unit and foundation does not exceed the allowable bearing load of the support. Allowable bearing loads of structural steel and floors can be obtained from engineering handbooks; building codes of local communities give the recommended allowable bearing loads for different types of soil.

II-C. FOUNDATION BOLTS

Before pouring the foundation, locate the foundation bolts using a template frame and provide anchorage as shown in Figure 1. See the outline drawings furnished with each pump for the exact location of the foundation bolts. When pouring, allow for a grout thickness of $\frac{1}{2}$ to 1-Yz inches between top of foundation and bottom of base. Roughen top surface to provide a good bond of the grout.

II-D. MOUNTING AND LEVELING THE UNIT

CAUTION

Use qualified personnel (riggers) to lift or move unit at any time. *Never* lift unit using hooks or slings on shafts. *Never* place eyebolts in tapped holes except for removal of a part to perform service work.

When the unit is received with the pump and the driver mounted on the base plate, it should be placed on the foundation and the coupling halves disconnected. The coupling should not be reconnected until the alignment operations have been completed. The base plate should be supported on rectangular metal blocks and shims or on metal wedges having a small taper. The support pieces should be placed close to the foundation bolts (Figure 2). On large units, small jacks made of cap screws and nuts are very convenient. In each case the supports should be directly under the part of the base plate carrying the greatest weight and spaced closely enough to give uniform support. A spacing of 24 inches is suggested on medium size units. A gap of about 0.75 inches to 1.50 inches should be allowed between the base plate and the foundation for grouting.

Adjust the metal supports or wedges until the shafts of the pump and driver are level. Check the coupling faces as well as the suction and discharge flanges of the pump for horizontal or vertical position by means of a level. Correct the positions, if necessary, by adjusting the supports or wedges under the base plate as required.

IMPORTANT

Pumps and drivers mounted on a common base plate were accurately aligned before shipment. *All base plates are flexible to some extent and, therefore, must not be relied upon to maintain the factory alignment.*

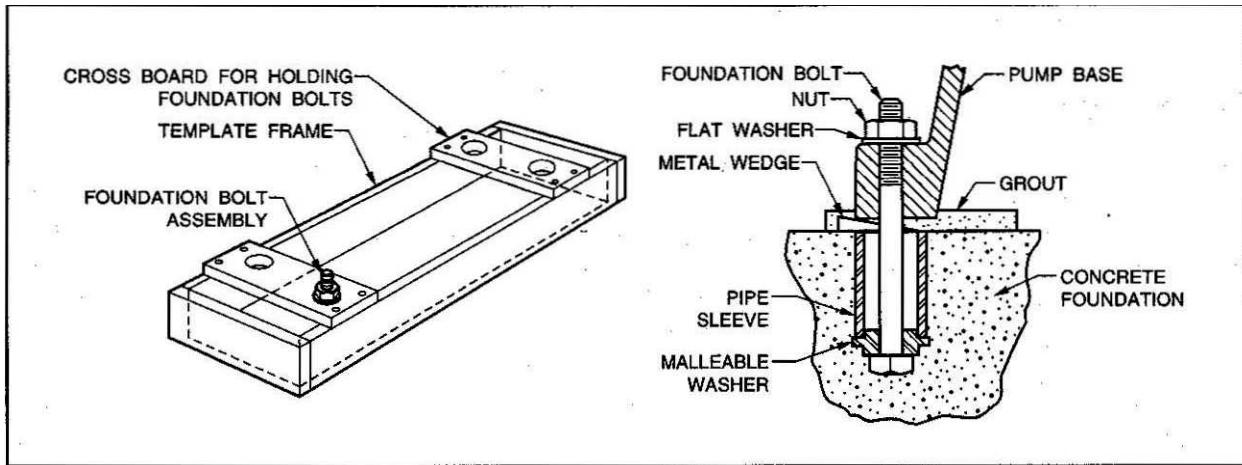


Figure 1. Foundation bolt location and anchorage

Realignment is necessary after the complete unit has been leveled on the foundation and again after the grout has set and foundation bolts have been tightened. The alignment must be checked after the unit is piped and rechecked periodically as outlined in the following paragraphs. To facilitate accurate field alignment, we do not dowel the pumps or drivers on the base plates before shipment.

II-E. ALIGNMENT

Reliable, trouble free and efficient operation of a pumping unit requires correct alignment of pump and driver shafts. Misalignment may be the cause of:

- (a) Noisy pump operation
- (b) Vibration
- (c) Premature bearing failure (d)
- Excessive coupling wear

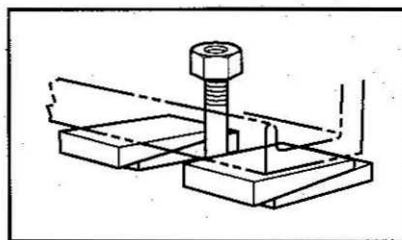


Figure 2. Adjusting wedges for mounting

Factors that may change the alignment of the pumping unit are: (a)

- Settling of the foundation
- (b) Springing of the base plate
- (c) Piping strains
- (d) Settling of the building
- (e) Shift of pump or driver on the base

II·F. ALIGNMENT CHECK

The following checking procedure applies to a pumping unit consisting of a pump, flexible coupling and driver mounted on a common base plate. Check alignment as follows:

- (a) Disconnect the coupling halves.
- (b) Set the coupling flange gap to the dimension shown in "Mounting Each Half Spacer" for Falk (page 151 Table 3 for Wood's (page 17) or refer to " Allowable Shaft Engagements" for Rexnord (page 18).
- (c) The preferred test for parallel and angular alignment may be made with a dial indicator mounted as Shown in Figure 3. Proceed as follows:
 - (1) Scribe the index lines on the coupling halves (as shown) or mark where the indicator point rests. (2) Set indicator dial to zero.
 - (3) Slowly turn *BOTH* coupling halves so that index lines match, or indicator point is always on the mark.
 - (4) Observe dial reading to determine whether pump or driver needs adjustment.
 - (5) Acceptable parallel and angular alignment occurs when total indicator reading (complete turn) does not exceed limits specified by the coupling manufacturer. Refer to pages 15 - 21.

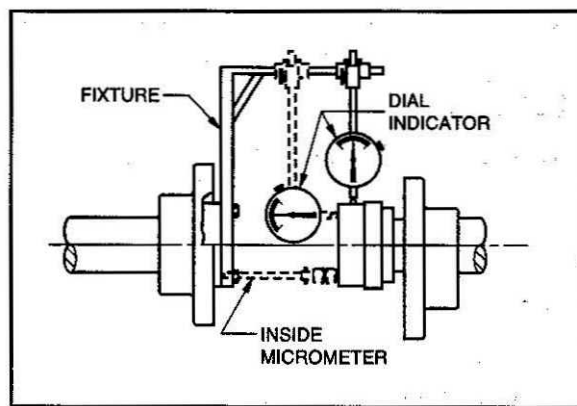


Figure 3. Testing alignment, dial indicator

"(d) Test for parallel and angular alignment with a straight edge and feeler gauge as shown in manufacturer's instructions in Section II-N, 0, P. With coupling halves stationary, make trials at four places 90° apart. Perfect alignment occurs when a straight edge is level across the coupling halves and the same gauge just enters between the halves, both conditions at all points."

When significant operating temperature differential will exist between the pump and driver (i.e. steam turbine drive with pump handling cold liquid), thermal growth will cause the hotter unit to rise. Compensate for this growth by initially setting the hotter unit 0.003 inch to 0.005 inch low. When both units are at normal operating temperature, a final check of coupling alignment must be made. Correct the alignment if necessary.

NOTE

Check for correct electric motor rotation as described in paragraphs (a) and (b) under paragraph IIM while coupling halves are disconnected.

II-G. ALIGNMENT ADJUSTMENT

Since all base plates are flexible; they may be distorted from transportation or handling. Therefore, it may be necessary to correct excessive parallel and angular misalignment by slightly shifting the leveling wedges under the base plate. Tap lightly (in or out) with a hammer. Recheck alignment after each shifting of a wedge.

- (a) . In some instances, for factory aligned pumping units, it may be necessary to change the shims under the pump or driver, or even relocate these factory-positioned units on the base plate. Make such changes only after it is certain that alignment cannot be obtained by shifting of the wedges.
- (b) If wedges are shifted or shims changed a substantial amount to obtain proper alignment, recheck the piping alignment and level of the shafts.

NOTE

Pumping unit shafts must be level, have proper alignment and the piping must mate with the pump flanges without strain. All three conditions must be correct to provide proper performance and long life of the pumping unit

II-H. ALIGNMENT RECHECK

alignment, and correct as required, after:

- (a) Mounting,
- (b) The grout has hardened,
- (c) Foundation bolts are tightened, (d)
- Piping is connected,
- (e) Pump, driver, or base plate is moved for any reason.

II-I. GROUTING

Unless otherwise specified on the unit outline drawing, the base plate must be filled with grout and the leveling wedges grouted in place. The product warranty IS *VOID if this instruction is not followed.*

When the alignment is correct, the foundation bolts should be tightened evenly, but not too firmly. The unit can then be grouted to the foundation. Foundation bolts should not be fully tightened until the grout is hardened, usually about 48 hours after pouring. Installation without grout completely filling the base plate is acceptable only when recommended by specific notation on the unit outline drawing.

Grouting that completely fills a base plate is also necessary for minimum vibration levels, since a very stiff base is uneconomical and unnecessary except for portable units. Grout compensates for unevenness in the foundation and base plate and distributes the weight of the unit uniformly over the foundation. It also prevents the unit from shifting after mounting and alignment. It is essential that the pumping unit be expertly grouted by use of non-shrinking grout. The mix required varies with the type of unit to be grouted, location and amount of grout. The instructions included with the non-shrinking grout package will provide the required information for the proper mix for individual applications. Grout the unit as follows:

- (a) Build a form of plywood or thick planking around the foundation to contain the grout. Support adequately to prevent deformation.
- (b) Soak the top of the concrete pad thoroughly with water before grouting. Remove all surface water before pouring.
- (c) Pour the grout through the holes provided in the base plate or through open ends of steel channel base plates. While pouring, tamp liberally to fill all cavities and prevent air pockets.

NOTE

In pouring and tamping, the grout may trap air in some places. Drill small vent holes through the base surface.

- (d) After the grout has thoroughly hardened, tighten the foundation bolts and connect the piping.
Be certain piping does not strain pump flanges.
- (e) Check the alignment after the piping is connected and the foundation bolts are tightened. (f)
Connect the coupling halves.
- (g) After the grout has thoroughly dried, apply an oil base paint to the exposed edges of the grout to prevent air and moisture from encountering the grout

NOTE

It is very important to support and restrain both the suction and discharge pipes near the pump to avoid application of the forces and moments to the pump casing. Failure to support the piping properly can cause excessive pipe strain on the casing which can affect alignment, cause vibration, and promote rapid wear of seals and bearings. Damage caused by pipe strain will void the warranty.

II-J. SUCTION PIPING-GENERAL

The suction piping, if not installed properly, is a potential source of faulty operation. To achieve best performance, provide for the following:

- (a) Avoid using elbows close to the pump suction flange. A minimum of six pipe diameters of straight pipe should always be located between the elbow and suction inlet. If elbows are used, they should be long radius type.
- (b) Suction pipe should be a minimum one size larger than the suction flange. Suction pipe should terminate at the suction flange of the pump through an "eccentric reducer". Never install suction piping that is smaller in diameter than the pump suction flange.
- (c) Suction throttling must never be attempted. This could cause cavitation and damage to the pump.
- (d) If a strainer is installed in the suction piping, it must have a net free area of at least three (3) times the area of the suction pipe. It should be checked and cleaned periodically. The openings in the screen must be smaller than the sphere size allowed for the impeller. Contact factory for maximum sphere size.
- (e) When the source of supply is feeding more than one pump, separate suction lines are recommended.

SUCTION LIFT INSTALLATIONS

- (a) Suction lines, when operating under lift conditions must be kept absolutely free from air leaks.
- (b) Suction piping should gradually slope upward toward the pump and all joints must be air tight.
- (c) Available NPSH must be greater than the NPSH requirement of the pump.
- (d) *Piping should be cleaned mechanically and chemically, and flushed prior to installing the pump. Several mechanical seal and seizure troubles are due to improperly cleaned systems,*
- (e) A means of priming the pump (i.e., foot valve), must be provided.

FLOODED SUCTION/POSITIVE HEAD INSTALLATIONS

- (a) The suction line must include an isolation valve to permit closing off the source of supply so that pump inspection and maintenance can be performed. The valve should be installed a minimum of two pipe diameters from the pump suction flange.
- (b) Piping should be level or slope gradually in a downward direction from the source of supply to avoid air pockets.
- (c) Piping should never extend below the pump suction flange. The piping entrance at the source of supply should always be one to two sizes larger than the pump suction flange.
- (d) To prevent eddies and vortices, the suction-pipe must be adequately installed below the surface of the liquid. A minimum of three times the pipe diameter is recommended.

II-K DISCHARGE PIPING

- (a) Check and isolation valves should be installed in the discharge line. The check valve must be placed between the pump and the isolation valve. This will protect the pump from reverse rotation and excessive back pressure. The isolation valve is used in priming, starting and when shutting down the pump. If increasers are used on the discharge side to increase the size of discharge piping, they should be placed between the check valve and pump. When expansion joints are used, they should be placed between the check valve and pump.

II-L. ENGINE DRIVEN UNITS

Safe and efficient operation of a pumping unit driven by an engine, whether diesel, or gasoline requires the installation to satisfy the following requirements:

- (a) Be well ventilated to keep the ambient temperature as low as possible. Taking 60⁰ F as a datum point, every 100 F rise in temperature reduces the horsepower of the engine by approximately 1%.
- (b) Provide ample air for proper combustion.
- (c) Provide the engine with an efficient exhaust system so that the combustion gases discharge with a minimum of back pressure.
- (d) Provide for a fuel system of adequate capacity which meets the local codes. (e) Provide ample accessibility to service engine.
- (f) Provide correct rotation of the pump. Engine rotation is determined at the factory. No change of engine rotation can be made in the field.

It is recommended that the operator become familiar with the installation and service manual supplied by the engine manufacturer.

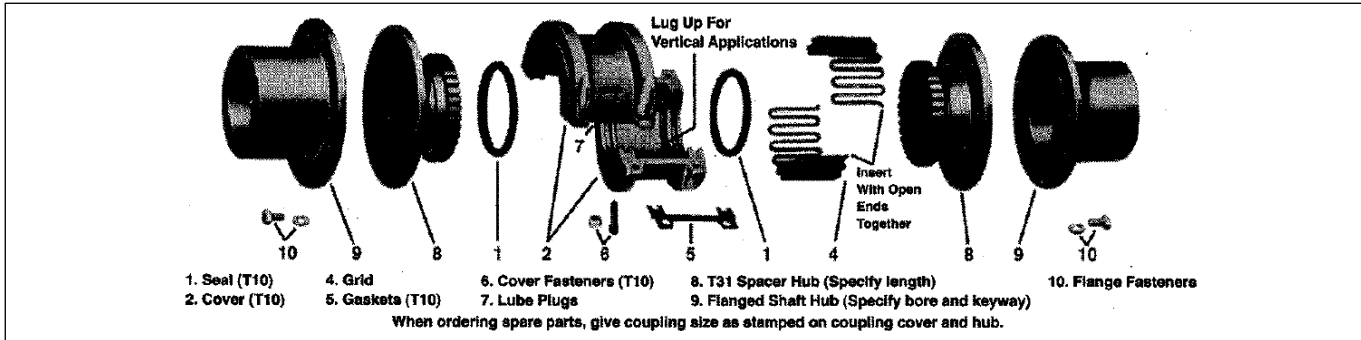
II-M. ELECTRIC MOTOR DRIVEN UNITS

For electric motor drives, connect power supply to conform with national and local codes. Line voltage and wire capacity must match the ratings stamped on the motor nameplate.

- (a) Only when the coupling halves are disconnected, momentarily energize the motor to check that rotation is in the same direction as the arrow on the pump,
- (b) If motor is three phase type, reverse rotation (if required) by interchanging any two of the three power leads. The rotation of most single phase motors is fixed by internal wiring and cannot be easily changed.

II-N. INSTALLATION FALK STEELFLEX® SPACER COUPLINGS

2.



INTRODUCTION - This manual applies to Sizes 20 through 140T31 and 1020 thru 1140T35 Falk Steelflex Tapered Grid Spacer Couplings. Unless otherwise stated, information for Sizes 1020 thru 1140 applies to Sizes 20 through 140 respectively, e.g. 1020 = 20, 1100 = 100, etc. The type T31 Steelflex Spacer Assembly permits installation or removal (as shown in Steps A and B below) without disturbing either the driving or driven unit. These couplings are designed to operate in either the horizontal or vertical position without modification. However, for vertical applications, the match mark shown on Page 2, must be up. The performance and life of the couplings depend largely upon how you install and service them. Carefully follow the instructions in this manual for optimum performance and trouble free service.

PARTS IDENTIFICATION - All coupling parts have identifying part numbers as shown above. Parts are interchangeable between the 10 Series and 1000 series spacer couplings. However, to utilize the higher 1000 series ratings, the 1000T - Blue Grid, Spacer Hubs, Shaft Hubs and Hardware must be used. When ordering parts, always SPECIFY SIZE and TYPE shown on the COVER. Sizes 80 thru 140T10 covers have been manufactured with two and three ribs; 00 NOT mix these cover halves.

LIMITED END FLOAT - When electric motors, generators, engines, compressors and other machines are fitted with sleeve or straight roller bearings, limited axial end float kits are recommended for protecting the bearings. Falk Steelflex couplings are easily modified to limit end float; refer to Manual 428-820 for instructions.

CAUTION: Remove the coupling cover, grid and gap disc before removing the Spacer T Hub(s) of limited end float couplings. Reassemble as instructed on Page 2.

LUBE FITTINGS - Cover halves have 1/8 NPT lube holes. Use a standard grease gun and lube fitting as instructed in Step 8 on Page 2.

LUBRICATION - Adequate lubrication is essential for proper operation of the coupling. Refer to Table 1 on Page 2 for the amount of lubricant required. It is recommended that the coupling be checked once a year and lubricant added if required. For extreme or unusual operating conditions, check more frequently.

CAUTION: Consult applicable local and national safety codes for proper guarding of rotating members. Observe all safety rules when installing or servicing couplings.

LUBRICATION SPECIFICATIONS - Refer to Manual 428-010 for recommended lubricants. The following specifications apply to lubricants for Falk couplings which are lubricated annually and operate within ambient temperatures of 0° to 150° F. (-18° to + 66° C.). For temperatures beyond this range, consult the Factory.

Dropping Pint- 300° F. (149° C.) or higher.

Consistency" NLGI No.2 with worked penetration value in the range of 250 to 300.

Separation and Resistance" Low oil separation rate and high resistance to separation from centrifuging.

Liquid Constituent - To possess good lubrication properties ... equivalent to a high quality, well refined petroleum oil. Inactive"

Must not corrode steel or cause swelling or deterioration of synthetic seals.

Clean - Free from foreign inclusions.

Semi-Permanent Lubrication" Refer to Manual 428-012 for details.

INSTALLATION - Only standard mechanics tools, wrenches, a straight edge' and feeler gauges are required to Install Falk Steelflex couplings. Couplings Sizes 1020 thru 1090 are generally furnished for CLEARANCE FIT with set screws. Sizes 1100 and larger are furnished for an INTERFERENCE FIT without set screws. Heat hubs with interference fit in an oil bath to a maximum of 275° F. (135° C.) to mount. The oil flashpoint must be 275° F. (135° C.) or higher. Refer to Page 2 for detailed mounting instructions.

REMOVAL AND INSTALLATION OF SPACER ASSEMBLY (SEE LIMITED END FLOAT "CAUTION")

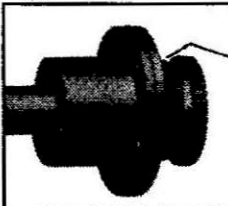
REMOVE SPACER ASSEMBLY - Remove pipe plugs and all but two fasteners opposite each other in each hub. Loosen these about one-quarter inch and tap them with a mallet to disengage Steelflex Spacer from the shaft hubs. Remove fasteners and Spacer.

INSERT SPACER ASSEMBLY - Do not allow them to protrude beyond flange face. Compress spacer to eliminate its gap, and insert into space between shaft hubs. Carefully engage the hub registers and then alternately tighten fasteners. Torque to specifications in Step 2 on Page 2.

INSTALLATION OF DISASSEMBLED TYPE T31 STEELFLEX® COUPLINGS

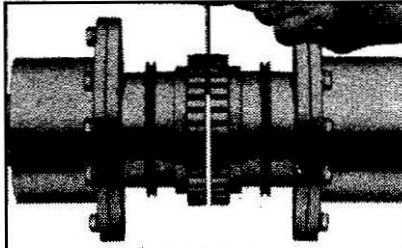
1. **MOUNT SHAFT HUBS** - Lockout starting switch of prime mover. Mount shaft hubs on their respective shafts so that hub face is flush with the end of the shaft. If hub is furnished for an interference fit, heat in an-Oil bath as instructed on Page 1. Position units for approximate distance between shaft ends with minimum angular and offset misalignment.

2. **MOUNT EACH HALF SPACER** - Stretch the seal and carefully roll it over hub teeth into position. Carefully position each half spacer on register of flanged hubs and fasten parts together. Torque fasteners to value specified below left.



Mount Seal On Each Spacer

FLANGE FASTENER TIGHTENING TORQUES			
SIZE	LB.-IN.	SIZE	LB.-IN.
1020-1040	120	1100-1110	2940
1050	250	1120	4560
1060-1070	440	1130	6800
1080	825	1140	8900
1090	1640		



REQUIRED GAP	
SIZE	GAP
1020-1090	.188"
1100-1110	.250"
1120-1140	.375"

3. **GAP AND ANGULAR ALIGNMENT** - Use a spacer bar equal in thickness to the gap as specified. Insert bar, as shown above right, to same depth at 90° intervals and measure clearance between bar and hub face with feelers. The difference in minimum and maximum measurements must not exceed the ANGULAR limit specified in Table 1.

4. **OFFSET ALIGNMENT** - Align so that a straight edge rests squarely (or within the limits specified in Table 1) on both hubs and also at 90° intervals. Check with feelers. The clearance must not exceed the OFFSET limit specified in Table 1. Tighten all foundation fasteners and repeat Steps 3 and 4. Realign coupling if necessary. NOTE: Use a dial indicator for more accurate alignment.

5. **INSERT GRID** - Pack gap and grooves with lubricant before inserting grid. When grids are furnished in two segments, install them so that all cut ends extend in the same direction. This will assure correct grid contact with the lug in the cover and permit cover installation. Spread the grid slightly to pass it-over the coupling teeth and then seat it with a soft mallet. Pack additional grease between and around the grid and then wipe off the excess flush with top of grid.

6. **COVER MATCH MARKS** • Assemble the covers with the match marks on the same side. For vertical or inclined couplings, assemble the covers with the match marks (and lugs) UP, or on the high side.

7. **INSTALL COVER** - Align seals with rover grooves. Position covers per Step 6 and insert gaskets at both joints. For Sizes 1020 thru 1070, position nut in hex seats. insert all fasteners and torque to value Specified in Table 1. Insert pipe plugs.

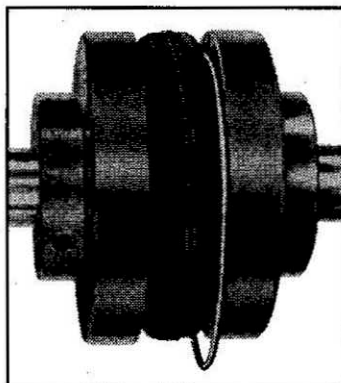
8. **LUBRICATION** - Lubricate annually. Refer to Page 1 for recommended lubricant specifications and to Table 1 for amount of lubricant required. When lubricating remove both pipe plugs and insert a standard lubrication fitting in one hole. When grease flows from the vent hole, replace both plugs. Wipe off excess grease.

Table 1		INSTALLATION DATA			
SIZE	Max Speed rpm	Operating Alignments Limits - Inches		Lube Wt (lb)	Cover Fastner Torque lb-in.
		Offset (Max)	Angular (Max)		
1020	3600	.005	.005	.06	100
1030	3600	.005	.005	.06	100
1040	3600	.005	.005	.12	100
1050	3600	.005	.005	.12	200
1060	3600	.010	.010	.19	200
1070	3600	.010	.010	.25	200
1080	3600	.010	.010	.38	200
1090	3600	.012	.012	.56	200
1100	2440	.012	.012	.94	260
1110	2250	.012	.012	1.1	260
1120	2025	.012	.012	1.6	650
1130	1800	.012	.012	2.0	650
1140	1650	.015	.015	2.5	650

II-O. INSTALLATION WOOD'S SURE-FLEX® SPACER COUPLINGS

Sure-Flex flanges (outer metallic parts) and sleeves (inner elastomeric members) come in many sizes and types. All rubber sleeves (EPDM) and Neoprene) have the same ratings for a given size and may be used interchangeably. Hytrel sleeves, however, has completely different ratings. Rubber sleeves must not be substituted for Hytrel... or Hytrel for rubber. First, determine the size and type of components being used. Remove all components from their boxes, and loosely assemble the coupling on any convenient surface. (Do not attempt to install the wire ring on the two-piece E or N sleeve at this time.)

1. Inspect all coupling components and remove any protective coatings or lubricants from bores, mating surfaces and fasteners. Remove any existing burrs, etc. from the shaft
3. Slide one coupling flange onto each shaft, using snug-fitting keys.
4. Position the flanges on the shafts so that each shaft extends into each flange a minimum length equal to the shaft diameter. Tighten one flange in its final position. Slide the other far enough away to install the sleeve. With a two-piece sleeve, do not move the wire ring to its final position; allow it to hang loosely in the groove adjacent to the teeth, as shown.



4. Slide the loose flange on the shaft until the sleeve is completely seated in the teeth of each flange. Tighten all fasteners to the values given in Table 2.

Table 2		FASTENER TORQUE VALUES (ft.-lbs.)		
Coupling Size	TYPE J	TYPE S	TYPE SC	
	2 Setscrews at 90°	2 Setscrews at 90°	2 Setscrews at 90°	2 Setscrews at 90°
3	3
4	3	...	5 1/2	13
5	7	13	4	13
6	13	13	9	13
7	13	13	9	13
8	23	23	18	23
9	...	23	31	23
10	...	23	50	50
11	...	23	75	50
12	...	50	150	100
13	...	100	150	165
14	...	100	150	165
16	...	100	150	165

Coupling size is marked on flanges.

Different coupling sleeves require different degrees of alignment precision. Locate the earing failure (0) Excessive coupling wear

SURE-FLEX" SPACER COUPLINGS, continued

5. Check parallel alignment by placing a straightedge across the two coupling flanges and, measuring the maximum offset at various points around the periphery of the coupling. **DO NOT** rotate the coupling. If the maximum offset exceeds the figure shown under "Parallel" in Table 3, realign the coupling.

6. Check angular alignment with a micrometer or caliper. Measure from the outside of one flange to the outside of the other at intervals around the periphery of the coupling. Determine the maximum and minimum dimensions. **DO NOT** rotate the coupling. The difference between the maximum and minimum must not exceed the figure given under "Angular" in Table 3. If a correction is necessary, be sure to recheck the parallel alignment. (Note: For maximum life, keep misalignment values as near to zero as possible.)

NOTE: Periodically check elastomeric coupling sleeves for any visible evidence of deterioration. If deterioration is apparent, the coupling sleeve must be replaced.

Table 3		MAXIMUM ALLOWABLE MISALIGNMENT			
Sleeve Size	G DIMENSION	TYPES JES, JNS, E & N		TYPE H & HS*	
		PARRALLEL	ANGULAR	PARRALLEL	ANGULAR
3	3/8	.010	.035	—	—
4	5/8	.010	.043	—	—
5	3/4	.015	.056	—	—
6	7/8	.015	.070	.010	.016
7	1	.020	.081	.012	.020
8	1-1/8	.020	.094	.015	.025
9	1-7/16	.025	.109	.017	.028
10	1-5/8	.025	.128	.020	.032
11	1-7/8	.032	.151	.022	.037
12	2-5/16	.032	.175	.025	.042
13	2-11/16	.040	.195	.030	.050
14	3-1/4	.045	.242	.035	.060
16	4-3/4	.062	.330	—	—

(Dimension. are Inches)

NOTE: Values shown above apply if the actual torque transmitted is more than 1/4 the coupling rating. For lesser torque, reduce the above values by 1/2. *Type H sleeves (orange) should not be used as direct replacements for EPDM or Neoprene sleeves (black) or with J or B flanges.

7. If the coupling employs the two-piece sleeve with the wire ring, force the ring into its groove in the center of the sleeve. It may be necessary to pry the ring into position with a blunt screwdriver.

8. Check safety codes and install protective guards or shields as required.

Reprinted with permission of T. B. Wood's Sons Co.

II-P. INSTALLATION REXNORD REX OMEGA SPACER TYPE COUPLINGS

WARNING	
•	Because of the possible danger to person(s) or property from accidents which may result from improper use or installation of products, it is extremely important to follow the proper installation and operational procedures
•	All rotational power transmission products are potentially dangerous and can cause serious injury. They must be properly guarded and in compliance with OSHA standards for the speeds and applications in which they are used. It is the responsibility of the user to provide proper guarding.
•	Failure to secure cap screws properly could cause coupling component(s) to become dislodged during operation; resulting in personal injury. Do not start motor or job without the complete coupling being properly secured to driving and driven equipment shafts.
•	Before installing this coupling on any system containing sleeve bearings, herringbone gear sets or other devices sensitive to axial thrust, consult Rexnord.
•	It is the responsibility of the user to consider the coupling's stiffness (available from Rexnord) as it relates to the drive system frequency.

STEP 1: Inspect both driving and driven shafts and hub bores making sure they are free from dirt and burrs. Be sure the keys fit shafts properly. Mount both hubs to the shafts securing only one hub; the other hub should be loose for minor adjustment of spacing. Where tapered bushings are used, follow bushing manufacturer's instructions. If hub is bored for an interference fit, we recommend heating the hub ~ water, oil bath" or an oven and quickly positioning it on the shaft. Do not spot heat hub as it may cause distortion.

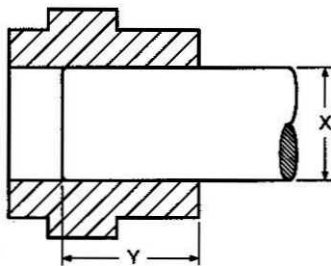
STEP 2: Place half of the elastomer element around hubs and secure with self-locking capscrews. The elastomer element will space the other hub. It is important to have cap screws properly tightened. See Table 1 below for recommended capscrew torques and instructions. Now secure the other hub to the shaft.

STEP 3: Mount other half of the elastomer element to hubs. Be sure to secure rings to the spacer element if provided. Tighten all capscrews to the recommended cap screw torques in Table 1 and your done!

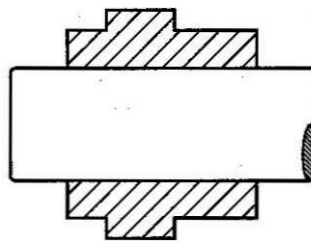
HELPFUL HINT: If the cap screw holes in the element do not line up properly with the hubs due to equipment misalignment, rotate the shafts (if possible) slightly as you install each cap screw. On larger coupling sizes, first install the cap screws that are located in the center of the half element.

ALLOWABLE SHAFT ENGAGEMENTS

Shafts can be flush with the hub (not shown), recessed below the face of the hub, or extended beyond the hub face.



Dimension Y should be equal to, or greater than $\cdot 8$ times dimension X.



The shaft may extend beyond the hub face as long as there is sufficient keyway length available.

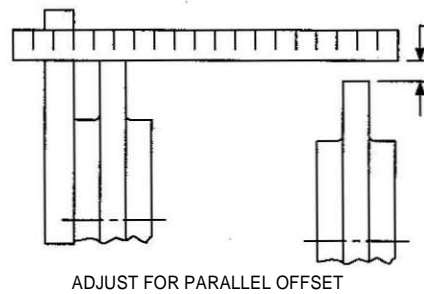
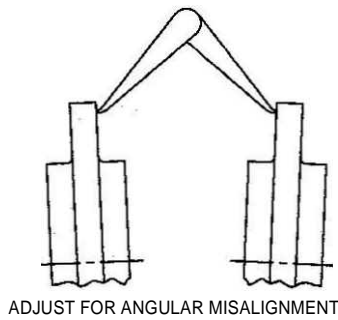
TABLE 1

RECOMMENDED CAPSCREW TORQUES FOR PROPER INSTALLATION	CPLG SIZE	TORQUE - DRY		
		IN. LBS.	FT. LBS.	Nm
<p style="text-align: center;">- IMPORTANT -</p> <p>Capscrews have self-locking patches which should <i>not</i> be reused more than twice.</p> <p>Capscrews can be further used with application of a thread-locking adhesive.</p> <p><i>Do Not Lubricate Capscrew Threads</i></p>	2	204	17	23
	3			
	4			
	5			
	10			
	20	360	30	40
	30			
	40			
	50			
	60			
	70	900	75	100
	80			
	100			
	120	3240	270	370
	140			
140	7080	590	800	

EQUIPMENT ALIGNMENT

Although Omega couplings can withstand gross misalignment, care should be taken for best possible alignment to assure optimum performance. The caliper/straightedge alignment procedure is described below. If greater alignment accuracy is desired, a dial indicator method is recommended. There are occasions when equipment manufacturers require more specific alignment tolerances, in which case, the manufacturer's recommendations should be followed.

1. To correct for angular misalignment, use calipers to check the gap between hubs. Adjust or shim equipment until the gap is the same at all points around the hubs.
2. To correct parallel offset, place a straightedge across the hub flanges in two places at 90° to each other. Adjust or shim equipment until the straightedge lays flat on both sides.
3. Tighten down connected equipment and recheck alignment.
4. Install elastomer element, tightening all cap screws to the values shown in Table 1 as described on the reverse side.
5. If practical, recheck and tighten cap screws after several hours of operation.



II-Q. STUFFING BOX

1. **Packing:** Stuffing box packing is installed at the factory. Gland bolt nuts should be installed finger tight only. Packing cannot run dry; it must be lubricated. If the pumped liquid is clean, cool fluid, it may be used through a bypass off the discharge to the lantern ring connection to lubricate the packing. If the pumped liquid is dirty or hot, it is not suitable to lubricate the packing. An external source must be utilized, unless the bypass is equipped with proper separator, filter, and/ or cooling system. This must also be piped into the lantern ring connection (refer to packing recommendations).
2. **Mechanical Seals:** When mechanical seals are supplied, they are installed and adjusted at the factory. They must not run dry or encounter abrasives in the pumped liquid. Connect recirculation, flush, and/ or cooling lines as required, following instructions on the seal drawing supplied. On the cartridge type seals installed at the factory, the centering clips are removed. Follow instructions on the seal drawing supplied.

PACKING RECOMMENDATIONS

1. **General Service Packing-** This is an Aramid-PTFE synthetic packing. It is best suited for cold water and general service applications. It has a PH range of 0 to 12 and a maximum operating temperature of 500 degrees F. This packing is like Crane type 1345 or equal.
2. **Chemical and Solvent Packing -** This is a PTFE-Synthetic packing. It is used for severe chemical and solvent applications. It has a PH range of 0 to 14 and a maximum operating temperature of 500 degrees F. This packing is like Crane type C1065 or equal.
3. **High Pressure and Temperature Packing -** Often called Graphoil, it is used in high pressure and temperature applications. It has a PH range of 0 to 14 and a maximum operating temperature of 750 degrees F.

PACKING SIZE

The following is a list of the standard packing size for all process pump models.

Frame Size	Packing Size	Approx. Length	No. of Rings	Lantern Ring Width
STP	5/16 x 5/16	4.75	5	7/16
MTP	3/8 x 3/8	5.75	5	5/8
LTP	3/8 x 3/8	7.0	5	5/8
XLTP	7/16 x 7/16	8.0	5	5/8

OPERATION

III-A START-UP CHECK LIST

(a) Checking shaft rotation

1. With power, off and locked out, remove spacer between coupling hubs.
2. Restore power, and momentarily energize motor to determine rotation. Motor shaft must rotate in direction of arrow on the pump bearing frame.
3. Shut off power and lock out.
4. Check impeller clearance. Pumps assembled at the factory are set at .015-inch clearance. Do not rely on factory setting which could be affected by piping connections, or if high temperature liquids are to be pumped, the impeller setting must be corrected. See appendix for adjustment procedure.
5. Reinstall coupling spacer. Make sure coupling hubs are secured to the shafts. Lubricate coupling as required per manufacturer's instructions. **RECHECK ALIGNMENT.**
6. Install coupling guard.

(b) Bearing Lubrication

Oil Lubrication: PUMPS ARE NOT SHIPPED FROM THE FACTORY WITH OIL.

1. Remove item 113A (oil fill plug) and fill frame with oil to the center of the sight glass. A high quality turbine oil with rust and oxidation inhibitors should be used. See Appendix for oil recommendations and instructions for filling frame with oil when Trico oilers are installed.

Pure Oil Mist Lubrication: The power frames have, as standard, drilled and tapped connections for oil mist systems. The connections are located on the top of the bearing frame. Follow instructions from the manufacturer of the oil mist generator system. If you are already using flood oil lubrication, instructions for converting to oil mist are in the Appendix.

Grease Lubrication: Pumps shipped from factory contain some grease but it is not sufficient for placing the pump into continuous service. Refer to instructions in the appendix.

Greased for Life Bearings: These bearings are greased and permanently sealed by the bearing manufacturer.

See appendix for recommended lubrication schedules.

- (c) **Shaft Sealing** - Refer to section II-Q page 20.

WARNING:

Never allow pump to run dry, or operate pump without liquid in the seal chamber. Seal faces must always be lubricated. Operating a pump without liquid in the casing or seal chamber, even for a few moments, can cause seal failure, pump damage and or personal injury.

(D) **Priming:** A centrifugal pump must be primed before it can be operated. If run dry, damage can occur to close-clearance rotating parts and will destroy mechanical seals. If not primed properly, it will not deliver fluid. Prime in one of the following methods:

1. If system has suction pressure, slowly open the suction valve. Open air vents on the pump casing and suction and discharge piping until fluid runs out. Rotate shaft a few times if possible to evacuate any trapped air in the impeller passages. Close all vent valves.
2. If the system has suction lift and there is a foot valve in the suction pipe, fill the pump casing and suction pipe with the liquid to be pumped. At the same time let any trapped air escape.
3. If the system has a suction lift but no foot valve, use a vacuum pump or ejector operated by air, steam, water, engine exhaust, etc., to evacuate the air from the pump case and suction pipe. Connect the ejector to the gauge connection at the top of the discharge nozzle, if provided.

(E) **Starting the Pump:** Turn the pump shaft by hand to ensure that the rotating element is free. If the rotating element rubs or binds, check for any abnormal piping strain or other loads on the pump causing misalignment. A slight drag from the mechanical seal is normal.

1. Check that the voltage and frequency on the motor nameplate match the current supply. Be sure the motor is wired for correct voltage. Check that all thermal overload relays are of the proper size and "set" for operation.
2. Be sure the valve in the suction line is open. Never use the suction line valve to control flow. The discharge valve should be dosed or partially open. See that all pipe connections are tight. Make sure all flushing and cooling lines are open.
3. Restore power supply and start the pump motor/driver. As soon as pump reaches full speed, slowly open the discharge valve.

WARNING:

Do not operate the pump below minimum rated flow levels or against a closed discharge valve for prolonged periods of time. This can cause increased vibration levels which will affect seal and bearing life. It can also cause cavitation damage to the internal surfaces of the pump.

4. If hot liquid is pumped, control opening of discharge valve to allow pump temperature to stabilize before reaching full capacity. Observe the operation of the pump. If excessive vibration or noise is evident, the unit should be stopped immediately and a thorough check made of the installation to determine the cause. Correct any fault before restarting the pump.
5. Listen for rubbing or binding which may have been caused by piping strains. If present, shut down the pump immediately. Investigate and correct the cause before restarting the pump.
6. Check the packing/mechanical seal for proper operation. Packing should have a leakage rate between 40 to 60 drops per minute. Never force the packing into a leakproof position since this will create excessive friction and premature damage to the packing and shaft or shaft sleeve. If leakage is excessive, tighten the gland bolts evenly, about 1/4 turn at a time. Allow the packing to seat in its new position. Packing must be "run-in" and this could take several hours or days to achieve the desired results. Mechanical seals are installed and adjusted at the factory. No further adjustment is required except for a short run-in period.

7. After the pump, has been operating for a sufficient length of time to bring it up to operating temperatures, the final alignment should be checked. Once the pump has reached operating temperature, stop the pump, lock out the power source, and immediately remove coupling guard. Disconnect coupling and check the alignment. Make any necessary adjustments at this time. Reconnect coupling and replace coupling guard.

WARNING

NEVER RUN PUMP WITHOUT THE COUPLING GUARD. DISREGARD OF THIS WARNING CAN RESULT IN SERIOUS PERSONAL INJURY OR DEATH.

- (F) Pump Shutdown: Slowly close discharge valve and shut off power to the motor. Lock out motor power supply to prevent accidental restart when performing inspection or routine maintenance.

PREVENTIVE AND CORRECTIVE MAINTENANCE

A planned program of routine inspection and preventive maintenance can increase the service life of your pump. Maintenance records should be kept for each pump in a data base which will be beneficial in developing long term maintenance planning. Regular check ups of the following items will help keep your pump running trouble free and keep costly downtime to a minimum.

IV-A. DAILY/WEEKLY ROUTINE INSPECTION AND MAINTENANCE

- (a) Observe oil level and condition through sight glass or Trico oiler if provided. Oil level should be visible and at the level indicated on the sight glass. Slight foaming under operation is normal. Contaminated oil should be changed immediately.
- (b) Grease lubricated bearings should be re-greased at start-up and approximately every 2000 hours of operation. Refer to Appendix, page 36, for recommended grease manufactures.
- (c) Check mechanical seal chamber for leaks. Mechanical seals should not leak. Visible signs of leakage should be investigated immediately.
- (d) Visually inspect pump and piping for leaks. Inspect all tapped and plugged connections. Check for unusual noise or vibrations. Check for high bearing temperatures.
- (e) Periodically; check foundation bolts, pipe supports and pump to motor alignment.
- (f) If performance deteriorates, refer to troubleshooting, Appendix.

STP/MTP POWER FRAMES

V-A. DISASSEMBLY AND REASSEMBLY INSTRUCTIONS

REQUIRED TOOLS

Torque Wrenches* (ft. lbs)	Dial Indicator
Impeller Wrench, Part # 96A3038 F-056	Micrometer
Allen Wrenches	Snap Ring Pliers
Open End Wrenches 9/16", 3/4", 7/8", 15/16"	Feeler Gauges
Induction Bearing Heater	Drift Punch
Spanner Wrench	Hoist

WARNING

Proper methods to handle pump components must always be used to avoid physical injury or damage to parts.

Lock out power supply to motor, dose off suction and discharge valves. Drain liquid from casing and flush if required. Carefully, disconnect all accessory piping, remove coupling guard and disconnect coupling. Remove complete pump assembly or back pull out, (power frame with adapter, box cover and impeller attached), by removing frame adapter to casing bolts, (item 370). Using suitable lifting device, place pump, or back pull out assembly, on dean work surface of adequate strength to support the weight.

STP/MTP PUMP. FRAMES

- (a) Secure pump/back pullout assembly, to work bench.
- (b) Drain oil from bearing frame by removing oil drain plug (408A). Replace drain plug and dispose of. used oil in an environmentally appropriate manner.
- (c) Scribe line on pump shaft at end of coupling hub and proceed to remove hub from shaft.
- (d) Remove impeller (101), do not apply heat. Use impeller shaft wrench #96A3038F-056 for STP and MTP frames. For LTP and XLTP frames use a spanner wrench or another suitable tool that will not mark the shaft. Slide wrench over shaft (122) and key (400). Turn impeller clockwise (viewed from impeller end of shaft), to raise wrench off work bench. Abruptly, turn impeller counterclockwise to impact wrench against workbench or block of wood. Repeat as necessary until impeller loosens on shaft threads. Spin off impeller and discard O-ring seal (496A).

REMOVAL OF STUFFING BOX COVER-MECHANICAL SEAL PUMPS

- (e) Remove seal gland stud nuts (353A). Separate seal gland (250), and slide gland toward bearing isolator (333A).
Remove seal chamber stud nuts (423B).
To remove seal chamber (184), slide chamber forward and off pump shaft.

- (f) Remove mechanical seal rotary (non-partridge type) from pump shaft sleeve by loosening set screws and sliding assembly off of pump sleeve.
- (g) Slide shaft sleeve forward and remove from shaft (126).
- (h) Slide seal gland with stationary seat and O-ring gasket off of pump shaft.

REMOVAL OF STUFFING BOX COVER-PACKED PUMPS

- (i) Remove packing gland studs (353) and nuts (353A).
- (j) Remove stuffing box cover stud nuts (423B).
- (k) Remove box cover by sliding cover forward and off of pump shaft. (I)
Remove packing rings (106) and lantern ring (105).
- (m) On MTP, LTP and XLTP pump models, remove frame adapter (108) from power frame as follows:
 1. Remove dowel pins (469B)
 2. Remove frame to adapter bolts (370B)
 3. Separate adapter from frame and discard O-ring gasket (360D)
 4. **DO NOT REMOVE LABYRINTH SEAL ASSEMBLY FROM FRAME ADAPTER.**

POWER END DISASSEMBLY-STP AND MTP MODELS

- (a) Remove cap screws (370C), loosen jam nuts (423). Tighten jack bolts (370D) evenly. Bearing housing will begin to back out of frame.
- (b) Slide shaft assembly, with bearing, housing out of bearing frame.
- (c) Remove all jack screws and nuts, items (370D) and (423).
- (d) Remove and discard bearing housing a-ring (496).
- (e) Using snap ring pliers, remove bearing retaining ring, (361A).
- (f) Remove bearing housing (134) from shaft by tapping the shaft with a rubber mallet, driving the thrust bearings and shaft assembly through the housing.
DO NOT ATTEMPT TO REMOVE THE LABYRINTH SEALS, (333A) and (332B). THESE ARE ONE PIECE ISOLATORS THAT ARE NOT DESIGNED FOR FIELD DISASSEMBLY. UNLESS DAMAGED, THE ISOLATOR O-RINGS DO NOT REQUIRE SERVICE OR REPLACEMENT.
- (g) Remove bearing lock nut (136) and lock washer, (382).
- (h) Using an arbor press, remove inboard and outboard bearings. Slide snap ring off shaft after bearings have been removed.
- (i) Complete disassembly of bearing frame (228). Remove oil fill plug, (113A), oil sight glass (408N), Oil mist/grease plugs four (4), (408H). Remove oil cooler inlet and outlet plugs, (408L) and (408M). On MTP models, remove frame foot attachment bolts (370F).

POWER END DISASSEMBLY-LTP FRAMES

- (a) Remove bearing housing bolts (370C), loosen jam nuts (423). Tighten jack bolts (3700) evenly. Bearing housing will begin to back out of frame.
- (b) Slide shaft assembly, with bearing, housing out of bearing frame.
- (c) Remove all jack screws and nuts, items (3700) and (423). Remove bearing housing O-ring (496).
- (d) Remove bearing cover screws (370G) and remove cover.
- (e) Remove bearing housing (134) from shaft by tapping the shaft with a rubber mallet, driving the thrust bearings and shaft assembly through the housing.

DO NOT ATTEMPT TO REMOVE THE LABYRINTH SEALS, (333A) and (332B). THESE ARE ONE PIECE ISOLATORS THAT ARE NOT DESIGNED FOR FIELD DISASSEMBLY. UNLESS DAMAGED, THE ISOLATOR O-RINGS DO NOT REQUIRE SERVICE OR REPLACEMENT.

- (f) Remove bearing lock nut (136) and lock washer, (382).
- (h) Using an arbor press, remove inboard and outboard bearings. Remove bearing cover. **DO NOT REMOVE OIL RING (248A) FROM SHAFT UNLESS IT IS DAMAGED.**

POWER END DISASSEMBLY-XLTP FRAMES

- (a) Remove bearing frame foot bolts (370F), and remove foot (241).
- (b) Remove bearing housing bolts (370C), loosen jam nuts (423). Tighten jack bolts (370D) evenly. Bearing housing **will** begin to back out of frame.
- (c) Slide shaft assembly, with bearing housing, out of bearing frame.
- (d) Remove all jack screws and nuts, items (370D) and (423). Remove bearing housing O-ring (496).
- (e) Remove bearing cover bolts (370G) and bearing cover (109C). Discard O-ring gasket (360C). **DO NOT REMOVE LABYRINTH SEAL.**
- (f) Using an arbor press, remove inboard bearing (168A).
- (g) Remove bearing housing (134), by sliding housing over the bearing and removing housing from impeller end of shaft.
- (h) Remove bearing locknut (136) and lock washer (382).
- (i) Press outboard bearing (112) off of shaft.

PARTS INSPECTION

ALL PARTS MUST BE INSPECTED BEFORE REASSEMBLY TO ENSURE THAT THE REBUILT PUMP WILL PERFORM PROPERLY. EACH PART SHOULD BE EXAMINED FOR SIGNS OF FATIGUE, EXCESSIVE WEAR AND CRACKS. REPLACE ANY WORN PARTS IF THEY DO NOT MEET THE FOLLOWING TOLERANCE STANDARDS.

BEARING FRAME AND FOOT - Visually inspect for cracks, roughness, rust or scale. Check machined surfaces for pitting or erosion. **BEARING FRAME** • INSPECT TAPPED CONNECTIONS FOR DIRT, CLEAN AND CHASE THREADS AS NECESSARY. Remove all loose or foreign material. Inspect lubrication passages to be sure that they are open. Inspect inboard bearing frame bore.

SHAFT AND SLEEVE - Visually inspect, check for grooves or pitting. Check bearing fits and shaft runout. Replace shaft and sleeve if worn, or if tolerances are outside the limits listed below.